

ALUNA
ENTRANCE DOOR





scan to follow us
on social media



**DISCOVER OUR
PRIMO DOORS**







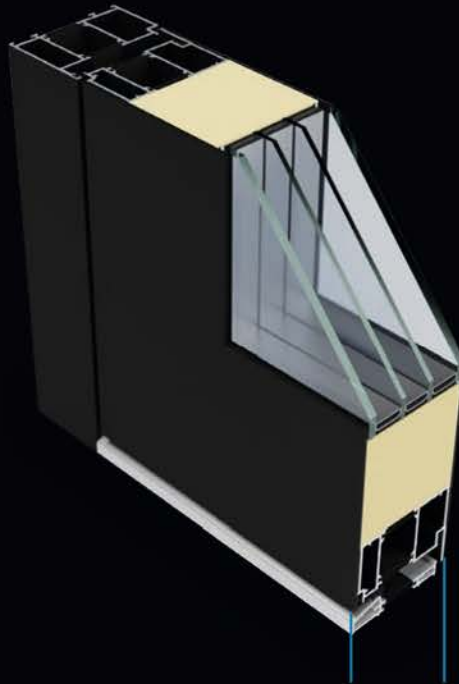
PRIMO DOOR RANGE

**Premium is not just a term for us,
Premium is our agenda.**

High-quality materials, many individual configuration options, high safety standards, very good thermal insulation, flush surfaces on both sides. These are just a few of the points that stand out for our Primo aluminium front doors. We also build this door to your desired size and in many modern colour combinations at a unique benefit-cost ratio.

PRIMO P90

ALIPLAST STAR 90



90mm

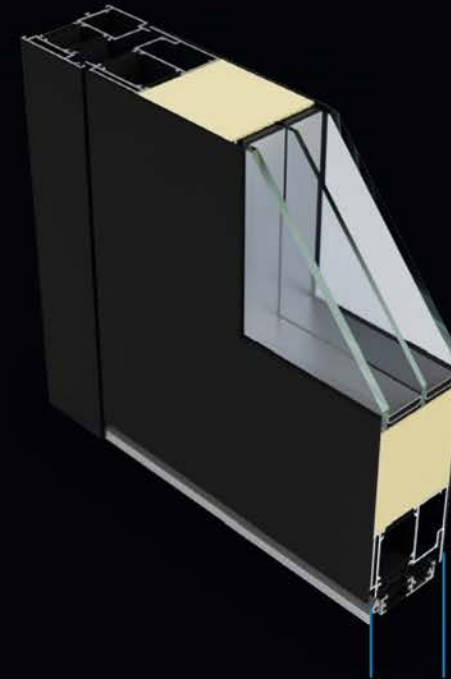
THERMAL INSULATION

WITHOUT GLAZING
Ud - 0,80 W/m²K

WITH GLAZING
Ud - 0,98 W/m²K

PRIMO SL75

ALIPLAST SUPERIAL 75



75mm

THERMAL INSULATION

WITHOUT GLAZING
Ud - 0,95 W/m²K

WITH GLAZING
Ud - 1,15 W/m²K

MADE TO MEASURE: 900mm-1200mm Width x 1900mm-2500mm Height



90mm 3-chamber aluminium profile with thermal break, stable and durable. Available with sidelight and toplight.



Available in 10 contemporary colour combinations - two-tone or identical finish on both sides. The surface is powder-coated.



Modern design - flush, simple and elegant.



Smarthome motor lock with finger scanner - You will never need a key again!



Effective thermal value - 0.8 W/m²K door without glazing or 0.98 W/m²K door with glazing.



Stainless steel pull handles: Short or long? Silver or black? Round or rectangle? We got them all!



Made to measure to the centimetre (width 900 to 1200mm, height 1900 to 2300mm). Special sizes up to 2500mm height on request.



3 reinforced roller hinges - adjustable in three dimensions, round and matched with the colour of the door.



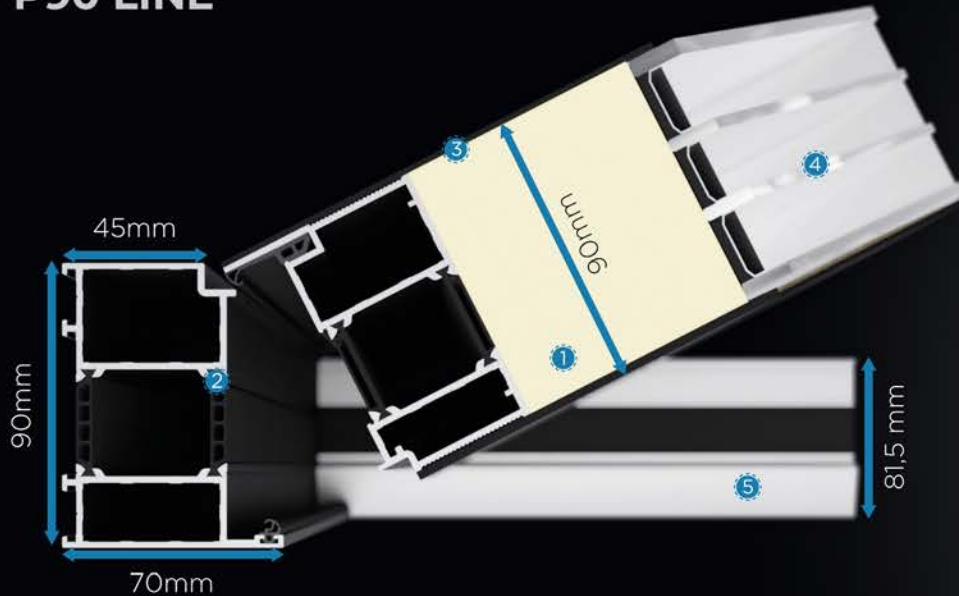
Security - Certified by BSI for PAS24 security standard and for RC2 security class in IFT Rosenheim.



Thermal threshold profile - For thermal insulation from screed in newly developed buildings.

PRIMO ENTRANCE DOORS

P90 LINE



- 1** Foam Insulation
- 2** 90mm aluminium frame with insulation bar
- 3** Powder-coated aluminium sheets- each 2mm thick
- 4** 4-pane glazing (optional laminated safety glass or RC2)
- 5** Aluminium threshold - with thermal break and water drainage



Winkhaus M2
3 point lock



Hooks of the
Winkhaus M2
3 point lock



3D-reinforced
roller hinges,
in door colour



Three-
dimensional
adjustment



Corner sealing



4-pane glazing
(optional
laminated
safety glass)



Schüco ring
rosette - flush
on the outside



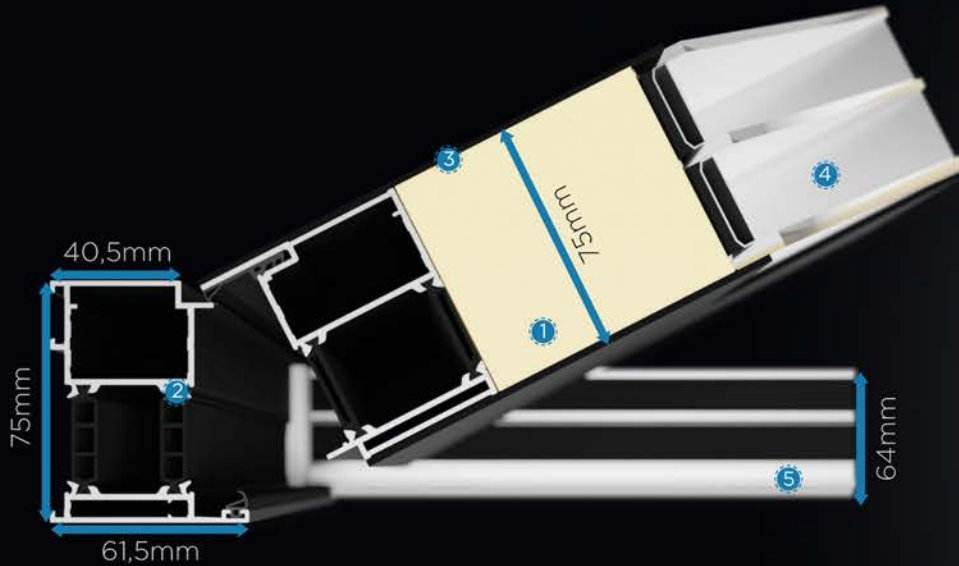
Thermal break
aluminium
threshold



Inside lever
handle - round
or rectangle

PRIMO ENTRANCE DOORS

SL75 LINE



- 1** Foam Insulation
- 2** 75mm aluminium frame with insulation bar
- 3** Powder-coated aluminium sheets- each 2mm thick
- 4** 3-pane glazing (optional laminated safety glass)
- 5** Aluminium threshold - with thermal break and water drainage



Winkhaus M2
3 point lock



Hooks of the
Winkhaus M2
3 point lock



3D-reinforced
roller hinges,
in door colour



Three-
dimensional
adjustment



3 pane glazing
(optional
laminated
safety glass)



Thermal break
aluminium
threshold



Schüco ring
rosette - flush
on the outside



Inside lever
handle - round
or rectangle



Optional:
Overhead
closer

Anthracite Finetexture DB703 (Tiger 29/70271)

Steel Blue Finetexture 5011 (Tiger 29/40782)

Anthracite Finetexture 7016 (Tiger 29/71334)

Moss Green Finetexture 6005 (Tiger 29/50321)

Traffic White Finetexture 9016 (Tiger 29/10246)

Fir Green Finetexture 6009 (Tiger 29/50704)

Aluminium Grey Finetexture 9007 (Tiger 29/90147)

Light Ivory Finetexture 6009 (Tiger 29/50704)

Signal Black Finetexture 9004 (Tiger 29/80271)

Red Braun Finetexture 3099 (Tiger 29/30402)

OUR SELECTION OF GLAZING



Satin



Clear



Reflex Grey toughened glass



Graphite Grey tinted toughened glass

SIDELIGHTS AND TOPLIGHTS

Sidelights and toplights are fitted with 3-pane laminated safety glass as standard.

Sidelights in width from 300mm to 1200mm.
Toplights in height from 300mm to 1200mm.



VERSION A



VERSION B



VERSION C



VERSION D



VERSION E

SMARTHOME



Pure metal housing - waterproof sealing

Easy installation in the door

Ready to connect to the respective motor lock: plug & play

System administration in front of the door

Optimal height from 1.2m and finger slide inclination - also for use by children

False rejection rate minimised to almost "zero"

Multi-award-winning front panel in brushed stainless steel

Self-learning algorithm

Developed according to strict certification guidelines for manipulation security

Swipe fingerprint sensor - no fingerprint trace is left behind after use



Stainless steel keyboard and housing

Compatible with common motor locks and electric openers

Communication encryption

Pairing between the indoor and outdoor unit

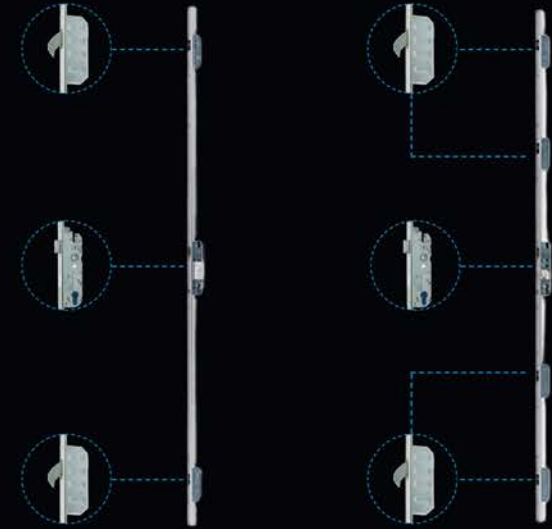
Intelligent locking mechanisms against manipulation

Waterproof sealing

Lasered stainless steel numerals

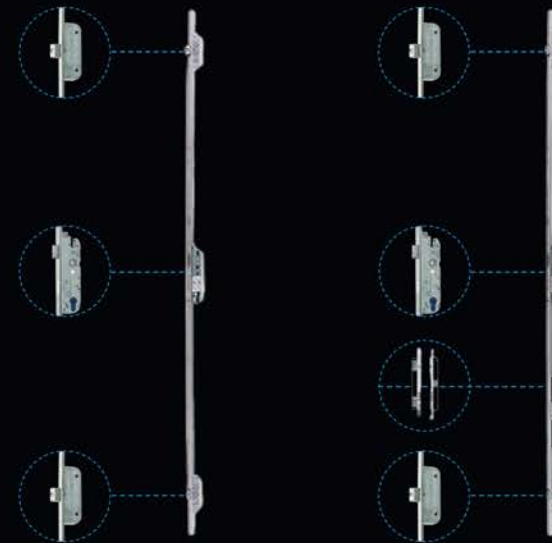
System administration directly in front of the door

LOCKS



Winkhaus 3 point hook lock

Winkhaus 5 point hook lock



GU automatic lock (for slam shut doors, electric opener not compatible)

Motor lock with finger scanner GU SECURE connect FS IN 2.0

PULL HANDLES



Stainless Steel Round

○ 30mm
 ↑
 500mm
 1200mm
 1600mm



Blackline Round

○ 30mm
 ↑
 1200mm
 1600mm



Stainless Steel Rectangle

□ 40mm x 20mm
 ↑
 1200mm
 1600mm

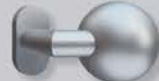


Blackline Rectangle

□ 40mm x 20mm
 ↑
 1200mm
 1600mm



Stainless Steel
Lever Handle



Stainless
Steel Knob



Stainless
Steel Knob



Stainless Steel
Lever Handle -
rectangle



Blackline
Lever Handle
- rectangle



M00

Colour: Anthracite Finetexture DB703 (Tiger 29/70271)
SET: Outside pull handle round 160cm + safety rosette, inside lever handle



M20 BLACKLINE

Colour: Anthracite Finetexture DB703 (Tiger 29/70271)
SET: Outside pull handle rectangle 120cm + safety rosette, inside lever handle

Optional:
Sidelight: Left and right 300mm with graphite grey tinted toughened glass



M01

Colour: Traffic white Finetexture 9016 (Tiger 29/10246)
SET: Outside pull handle round 120cm + safety rosette, inside lever handle Glass: Satine



M21 BLACKLINE

Colour: Traffic White Finetexture 9016 (Tiger 29/10246)
SET: Outside pull handle rectangle 160cm + safety rosette, inside lever handle Glass: Graphite grey tinted toughened glass

Optional:
Sidelight: Left 800mm with Graphite Grey tinted toughened glass



M02

Colour: Steel blue Finetexture 5011(Tiger 29/40782)
SET: Outside pull handle round 160cm + safety rosette, inside lever handle



M22 BLACKLINE

Colour: Steel blue Finetexture 5011(Tiger 29/40782)
SET: Outside pull handle rectangle 160cm + safety rosette, inside lever handle

Optional:
Sidelight: Left and right 300mm with Graphite Grey tinted toughened glass



M03

Colour: Fir Green Finetexture 6009 (Tiger 29/50704)

SET: Outside pull handle round 120cm + safety rosette, inside lever handle

Glass: Satine



M23 BLACKLINE

Colour: Fir Green Finetexture 6009 (Tiger 29/50704)

SET: Outside pull handle rectangle 160cm + safety rosette, inside lever handle

Glass: Graphite Grey tinted toughened glass

Optional:

Sidelight: Left and right 300mm with Graphite Grey tinted toughened glass



M04

Colour: Signal Black Finetexture 9004 (Tiger 29/80271)
SET: Outside pull handle round 120cm + safety rosette, inside lever handle Glass: Satine



M24 BLACKLINE

Colour: Signal Black Finetexture 9004 (Tiger 29/80271)
SET: Outside pull handle rectangle 160cm + safety rosette, inside lever handle Glass: Graphite Grey tinted toughened glass

Optional:
Sidelight: Left 300mm with Graphite Grey tinted toughened glass



M08

Colour: Light Ivory Finetexture 1015 (Tiger 29/15461)
SET: Outside pull handle angular 160cm + safety rosette, inside lever handle Glass: Satine



M28 BLACKLINE

Colour: Light Ivory Finetexture 1015 (Tiger 29/15461)
SET: Outside pull handle Round 160cm + safety rosette, inside lever handle Glass: Graphite Grey tinted toughened glass

Optional:
Sidelight: Left and right 300mm with Graphite Grey tinted toughened glass



M09

Colour: Moss Green Finetexture 6005 (Tiger 29/50321)
SET: Outside pull handle round 50cm + safety rosette, inside lever handle
Glass: Satine



M29 BLACKLINE

Colour: Moss Green Finetexture 6005 (Tiger 29/50321)
SET: Outside pull handle rectangle 160cm + safety rosette, inside lever handle
Glass: Graphite Grey tinted toughened glass

Optional:
Sidelight: Left 300mm with Graphite Grey tinted toughened glass



M11

Colour: Red-brown Finetexture 3099 (Tiger 29/30402)
SET: Outside pull handle rectangle 160cm + safety rosette, inside lever handle
Glass: Satine



M31 BLACKLINE

Colour: Red brown Finetexture 3099 (Tiger 29/30402)
SET: Outside pull handle rectangle 160cm + safety rosette, inside lever handle
Glass: Graphite Grey tinted toughened glass

Optional:
Sidelight: Left and right 300mm with Graphite Grey tinted toughened glass



M210

Colour: Grey Aluminium Finetexture 9007 (Tiger 29/90147)
SET: Outside pull handle round 120cm + safety rosette, inside lever handle
Glass: Satine



M310 BLACKLINE

Colour: Grey Aluminium Finetexture 9007 (Tiger 29/90147)
SET: Outside pull handle rectangle 120cm + safety rosette, inside lever handle
Glass: Graphite Grey tinted toughened glass

Optional:
Sidelight: Left and right 300mm with Graphite Grey tinted toughened glass



M211

Colour: Anthracite Finetexture 7016 (Tiger 29/71334)
SET: Outside pull handle angular 160cm + safety rosette, inside lever handle
Glass: Satine



M311 BLACKLINE

Colour: Anthracite Finetexture 7016 (Tiger 29/71334)
SET: Outside pull handle round 160cm + safety rosette, inside lever handle
Glass: Graphite Grey tinted toughened glass

Optional:
Sidelight: Left 300mm with Graphite Grey tinted toughened glass



M 212

Colour: Red-brown Finetexture 3099 (Tiger 29/30402)
SET: Outside pull handle round 50cm + safety rosette, inside lever handle
Glass: Satine



M 312 BLACKLINE

Colour: Red-brown Finetexture 3099 (Tiger 29/30402)
SET: Outside pull handle rectangle 160cm + safety rosette, inside lever handle
Glass: Graphite Grey tinted toughened glass

Optional:
Sidelight: Left 300mm with Graphite Grey tinted toughened glass



M14

Colour: Steel Blue Finetexture 5011(Tiger 29/40782)
SET: Outside pull handle rectangle 120cm + safety rosette, inside lever handle
Glass: Satine



M34 BLACKLINE

Colour: Steel Blue Finetexture 5011(Tiger 29/40782)
SET: Outside pull handle rectangle 160cm + safety rosette, inside lever handle
Glass: Graphite Grey tinted toughened glass

Optional:
Sidelight: Left and right 300mm with Graphite Grey tinted toughened glass





CIELO DOOR RANGE

SERIES DS92 & SERIES AC68

Encompassing flush and non-flush options, available in a range of standard size options to suit a variety of openings. Complete with a range of colour, lock and accessory options, as well as optional top and side lights, the Cielo entrance door range can be configured and styled to suit even the most exacting requirements.



**DISCOVER OUR
CIELO DOORS**





Up to 92 mm of thermal foam insulation for maximum thermal efficiency.



Choose from five classic colour options including wood effect, white and anthracite grey.



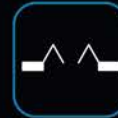
Modern design - customisable with a range of design options from unique colours and glazing to additional side and top lights.



Optional upgrade to electronic lock with fingerprint reader GU SECURE connect.



Effective thermal value - U-values as low as 0.68 W/m²K.



Flush and non-flush options.



Selection of standard sizing options to suit a range of openings up to 1100mm wide and 2200mm high.



Five different door furniture fitting combinations to choose from.

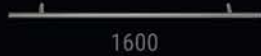


Winkhaus multi-point hook locking as standard for ultimate security.



Thermal Insulation- Up to 92 mm of thermal foam insulation for maximum thermal efficiency.

DOOR FITTINGS



SET 01

stainless steel pull
handle outside, handle
inside



SET 02

Handle inside and
outside



SET 03

Handle inside,
Knob outside



SET 05

stainless steel pull
handle outside,
handle inside



SET 07

stainless steel pull
handle outside,
handle inside

SIDELIGHTS

LOCK OPTIONS



VERSION A

VERSION B



VERSION C

VERSION D

VERSION E



Winkhaus
3 point
hook lock
**(AC68,
P90, G90)**



Winkhaus
5 point
hook lock
**(DS92,
P90, G90)**



GU
Automatic
3 point lock
**(AC68,
DS92,
P90, G90)**

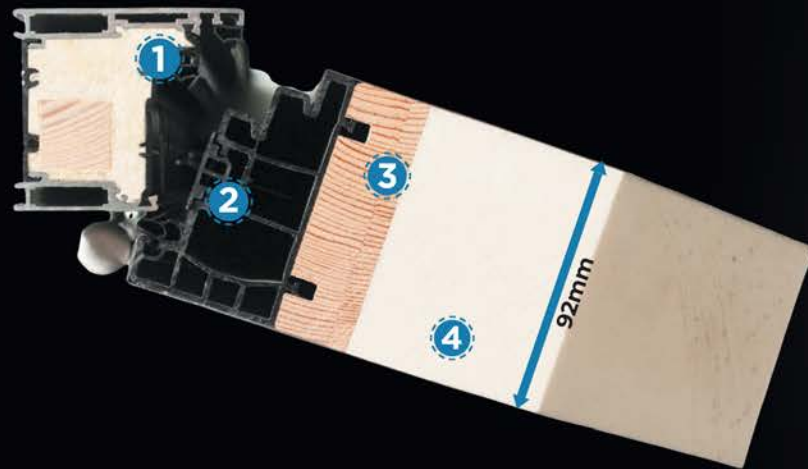


Electronic lock with
fingerprint reader GU
SECUREconnect
(P90, G90)

Sidelights are available from 300mm to 1200mm in width.
Top lights are available from 300mm to 1500mm in height.

STEEL/ALUMINIUM ENTRANCE DOORS

SERIES DS92



- 1 Aluminum frame with thermal insulation and wooden stiffening
- 2 Steel cover on plastic profile with thermal break
- 3 Wooden stiffening
- 4 Insulation foam

THERMAL INSULATION:

WITHOUT GLASS: $U_d - 0,68 \text{ W/m}^2\text{K}$

WITH GLASS: $U_d - 0,78 \text{ W/m}^2\text{K}$



1
Stainless
rosette with
burglary
protection



2
Aluminium
threshold with
thermal break



3
5-point hook
lock from
Winkhaus



3
5-point hook
lock from
Winkhaus



4
3x 3D
adjustable
hinges



5
Anti-liftout
frame pins

STEEL/ALUMINIUM ENTRANCE DOORS

SERIES AC68



- 1 Aluminum frame with thermal insulation and wooden stiffening
- 2 Steel cover on plastic profile with thermal break
- 3 Wooden stiffening
- 4 Insulation foam

THERMAL INSULATION:

WITHOUT GLASS: $U_d - 1,0 \text{ W/m}^2\text{K}$

WITH GLASS: $U_d - 1,2 \text{ W/m}^2\text{K}$



Stainless rosette with burglary protection



Aluminium threshold with thermal break



3-point hook lock from Winkhaus



3-point hook lock from Winkhaus



3x 3D adjustable hinges



Anti-liftout frame pins



DS901



DS902



DS904



DS905



DS906



DS907



DS908



DS909



DS911



DS913



DS900



AC01



AC02



AC04



AC05



AC06



AC07



AC08



AC09



AC11



AC13



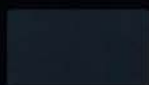
AC00

STEEL/ALUMINIUM ENTRANCE DOORS

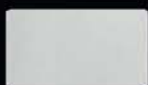
SERIES DS92 & AC68

Door swing:	Left in, Right in, Left out, Right out
Frame:	Aluminum frame with thermal insulation and wooden stiffening
Hinges:	3x 3D adjustable hinges with door hinge bolts
Lock:	Winkhaus 5 point (DS92) & 3 point (AC68) hook locking system
Threshold:	Aluminium with thermal break
Glass:	3 chambers, quadruple glazing (DS92) & 2 chambers, triple glazing (AC68)

AVAILABLE COLOURS:



Anthracite



White



Golden Oak



Walnut



Winchester

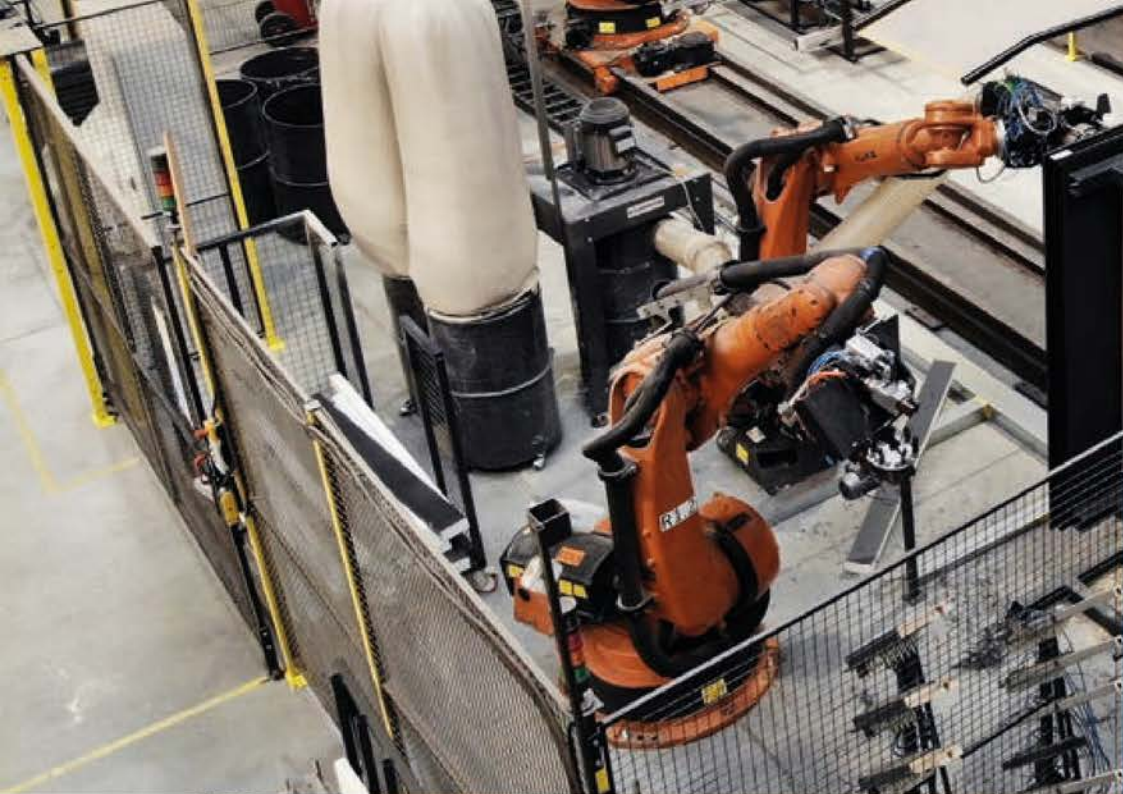
AVAILABLE SIZES:

Total (with frame)	Clearance	SERIES DS92
880mm x 2080mm	720mm x 1980mm	
980mm x 2080mm	820mm x 1980mm	
1000mm x 2000mm	840mm x 1900mm	
1000mm x 2100mm	840mm x 2000mm	
1100mm x 2100mm	940mm x 2000mm	
1000mm x 2200mm	840mm x 2100mm	
1100mm x 2200mm	940mm x 2100mm	

Total (with frame)	Clearance	SERIES AC68
980mm x 2080mm	860mm x 2000mm	
1000mm x 2000mm	880mm x 1920mm	
1000mm x 2100mm	880mm x 2020mm	
1100mm x 2100mm	980mm x 2020mm	

Additional Options:

Sizes:	1000mm x 2200mm, 1100mm x 2200mm (DS92 only)
Fitting SET-1	1600mm stainless steel pull handle outside, handle inside
Fitting SET-2	Handle inside and outside
Fitting SET-3	Handle inside, Knob outside
Fitting SET-5	500mm stainless steel pull handle outside, handle inside
Fitting SET-7	1200mm stainless steel pull handle outside, handle inside
Electric door lock:	Electric door lock with day/night function
Lock:	GU Automatic 3-point lock
Cylinder:	Anti-panic cylinder with 5 keys
	300mm-350mm
	400mm-450mm
	500mm-550mm
	600mm-650mm
	700mm-750mm
	800mm-850mm
	900mm-950mm
	1000mm-1050mm
	1100mm-1200mm
Sidelight:	
	from 300mm to 1500mm height
Top light:	from 300mm to 1500mm height
Glass:	3 chambers, quadruple glazing with VSG
	25mm
Frame extension:	50mm
	100mm
Threshold thermal break insulation:	300mm height x 1100mm length
Assembly set:	Door Installation set



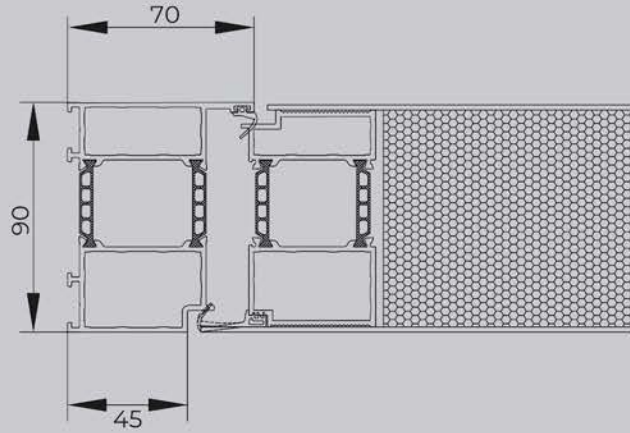
What makes us different from our competition?

We are the UK's fastest growing aluminium systems supplier for premium quality entrance doors, bifolding doors and windows, french doors, single glazed doors, slimline casement windows and sliding patio doors.

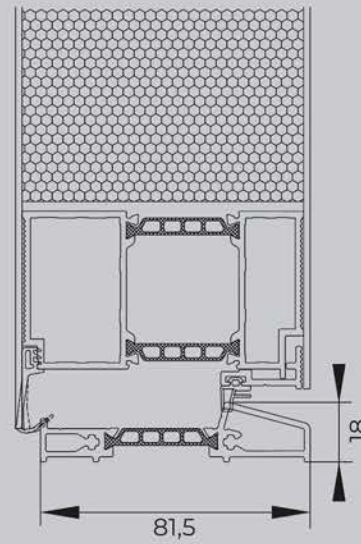
We source our products from the best suppliers around the world and deliver nationally to fabricators and manufacturers.

TECHNICAL DRAWINGS

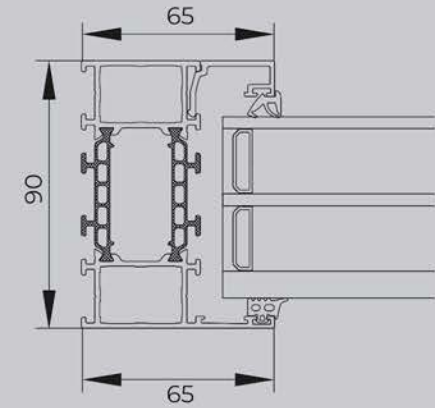
PREMIUM P90



Door cross section

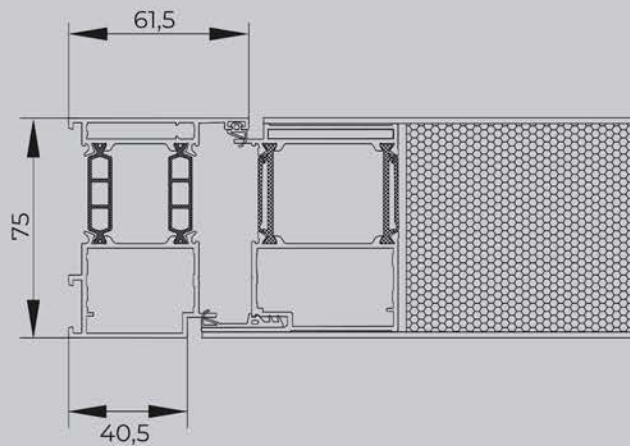


Threshold

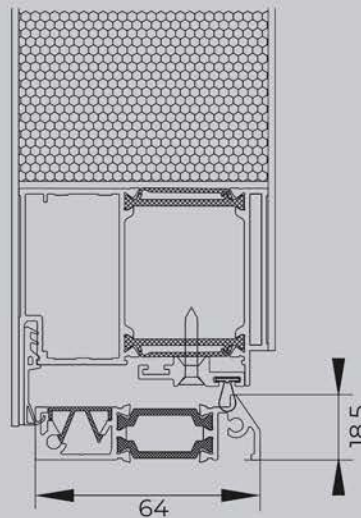


Sidelight

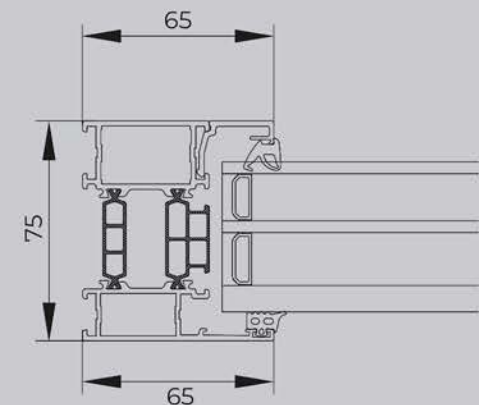
PREMIUM SL75



Door cross section



Threshold



Sidelight





ALUNET
SYSTEMS

Telephone: 01924 350 110
Email: info@alunetsystems.co.uk

Alunet Systems
Low Mill Lane
Havelock Street
Ravensthorpe Industrial
Estate Ravensthorpe
Dewsbury
WF13 3LN